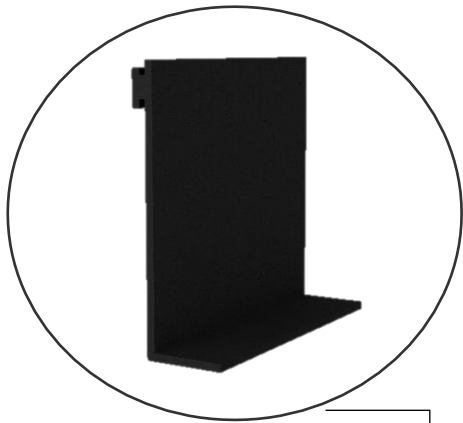
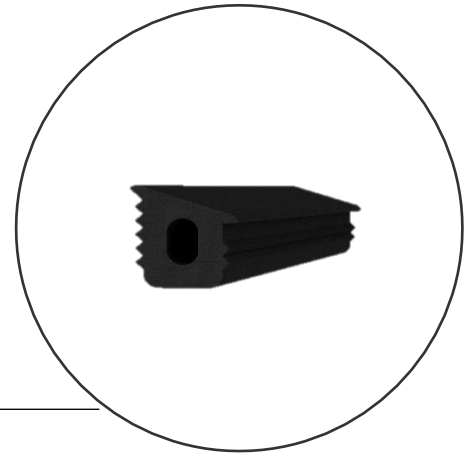


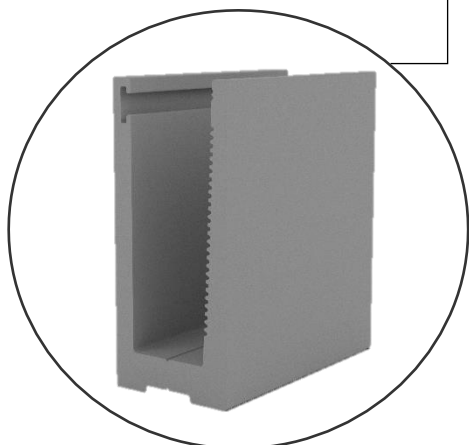
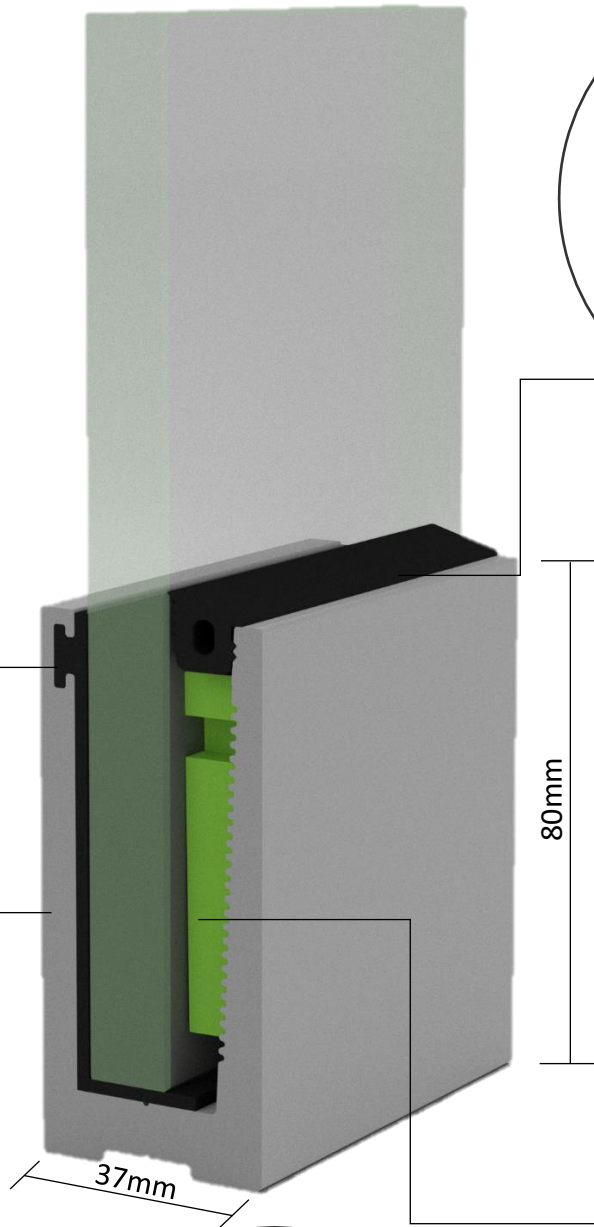
Top Mounted Aluminum Continue Solid Channel System DTA92-GLS



Packer



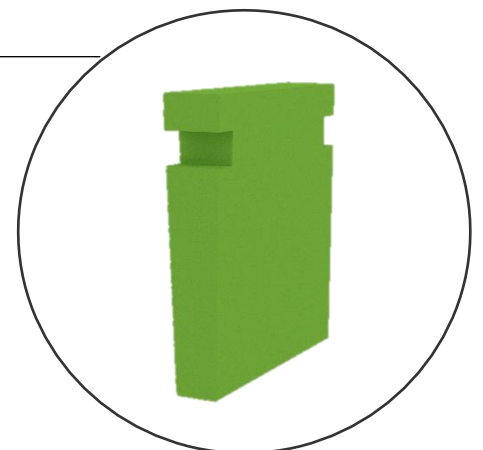
Gasket



Channel



HILTI Anchor Bolt
HRD C GI M10X100



Wedges

Specification



Channel:

- Material: AL6063 T6
- Length: 12 Feet
- Height: 80mm
- Width: 37mm
- Approx Weight: 13.200 KG / 12 Feet



Gasket:

- Microwave Cured & EPDM Rubber



Wedges:

- Material: ABS/M28RC/Nylon 6



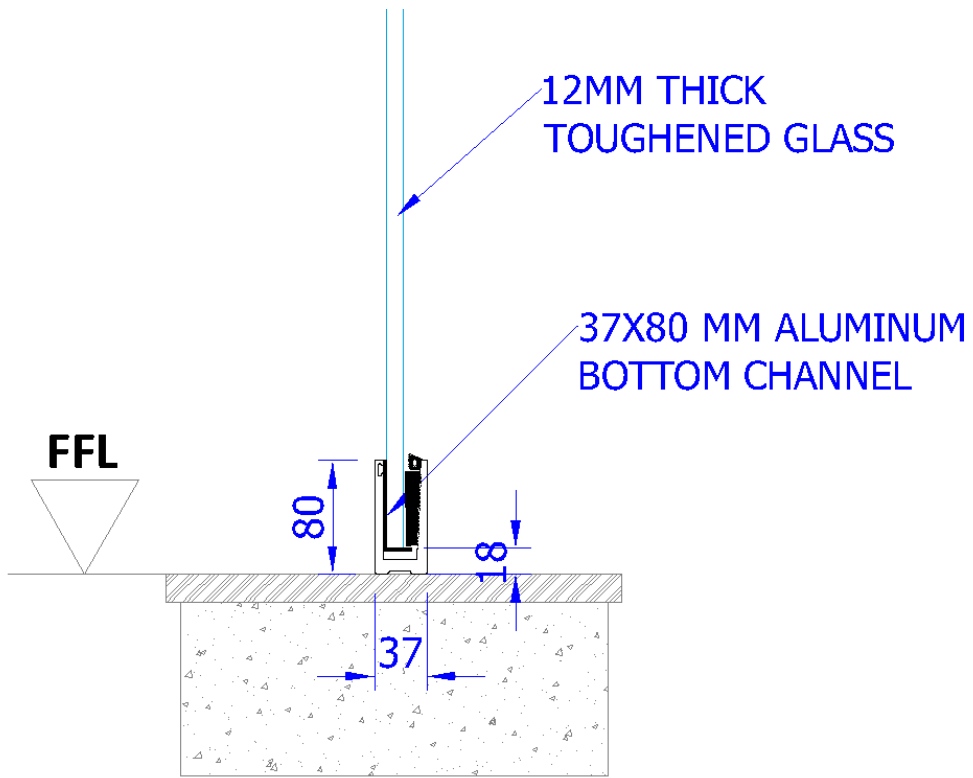
Anchor Fastner:

- Type: Hilti HRD C GI M10X100/120/140/160 (Counter Sunk) (As per client's requirement)
- Placement: 450mm C/C (8 Anchor Holes in 12feet Channel)



Powder Coating:

- Type: AkzoNobel
- Color/Shade: As per client preference and subject to availability and feasibility
- Coat thickness: 80-100 Microns
- Coating warranty: 10 years of AkzoNobel Warranty



SIDE VIEW